

COLOSSUS ASSEMBLY INSTRUCTIONS 7200



Important Safety Instructions



Read these instructions carefully and retain them for future use. If this product is passed to a third party, then these instructions must be included. When using the product, basic safety precautions should always be followed to reduce the risk of injury including the following:

- ▶ For domestic and office use only.
- ▶ A competent adult must assemble this product.
- ▶ Keep children and pets away while assembling the product.
- ▶ Do not let children climb on or play with the product.
- ▶ Always use the product on a firm, level ground.
- ▶ Do not use this product if any parts are missing, damaged, or worn.
- ▶ To avoid scratching the floor, assemble the product on a soft surface, such as a carpet.
- ▶ Regularly examine the product for wear and tear. Stop using the product at first sign of damage or if parts become detached.
- ▶ Do not stand on the seat.
- ▶ The product is intended for users up to 500 lbs (227 kg).
- ▶ The gas lift must be replaced and/or repaired by a qualified professional only.

Before First Use

DANGER Risk of suffocation!

- ▶ Keep any packaging materials away from children – these materials are a potential source of danger, e.g. suffocation.
- ▶ Check the product for transport damages.
- ▶ Remove all the packing materials.
- ▶ Remove and review all components before starting assembly.

Cleaning and Maintenance

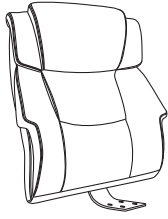
- ▶ To clean the product, wipe with a soft, slightly moist cloth.
- ▶ Never use corrosive detergents, wire brushes, abrasive scourers, metal or sharp utensils to clean the product.
- ▶ Regularly check that all the components and fasteners are tightened.
- ▶ Vacuum the product regularly. Small dust particles are very abrasive and can wear furniture prematurely.
- ▶ Avoid placing the product in direct sunlight as color may fade over time.
- ▶ Try to maintain at least 3 foot (1 meter) between the product and any heat sources. Prolonged exposure to heat sources or radiators causes cracking in the leather.

Specifications

Maximum user weight:	500 lbs (227 kg)
Net weight:	approx. 67.43 lbs (30.65 kg)
Dimensions (W x D x H)	approx. 28.35 x 31.89 x 40.06-49.8" (72x81x117-126.5cm)
Surface coatings:	Polyurethane
Covering materials:	Foam & Fibre
Cushion materials:	Foam & Fibre



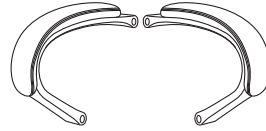
Delivery Content



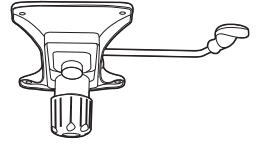
A (x 1)



B (x 1)



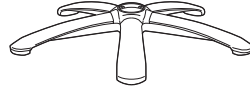
C (x 1)



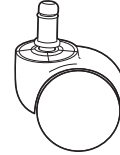
D (x 1)



E (x 1)



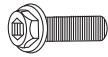
F (x 1)



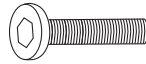
G (x 5)



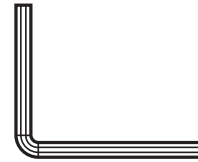
H (x 2)



I (x 6)



J (x 4)



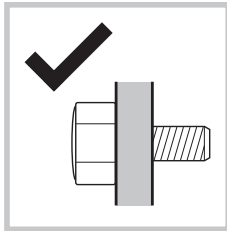
K (x 1)



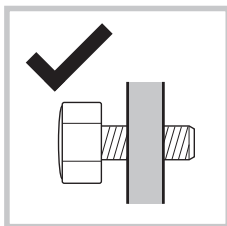
L (x 4)



Legend



NOTICE Fully tighten the screw



NOTICE Half tighten the screw

Assembly



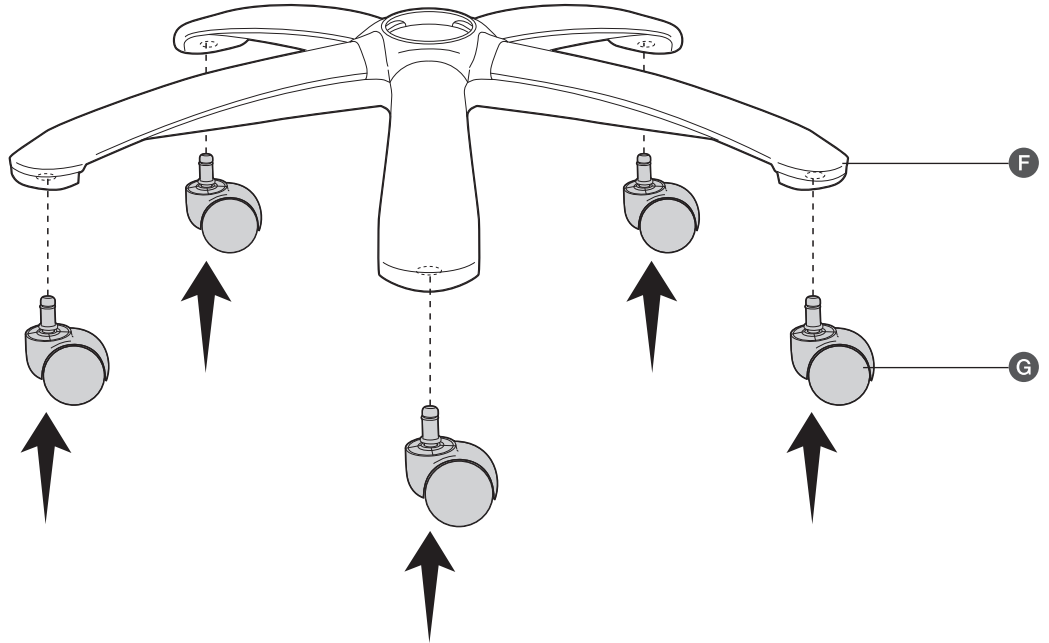
1



F (x 1)



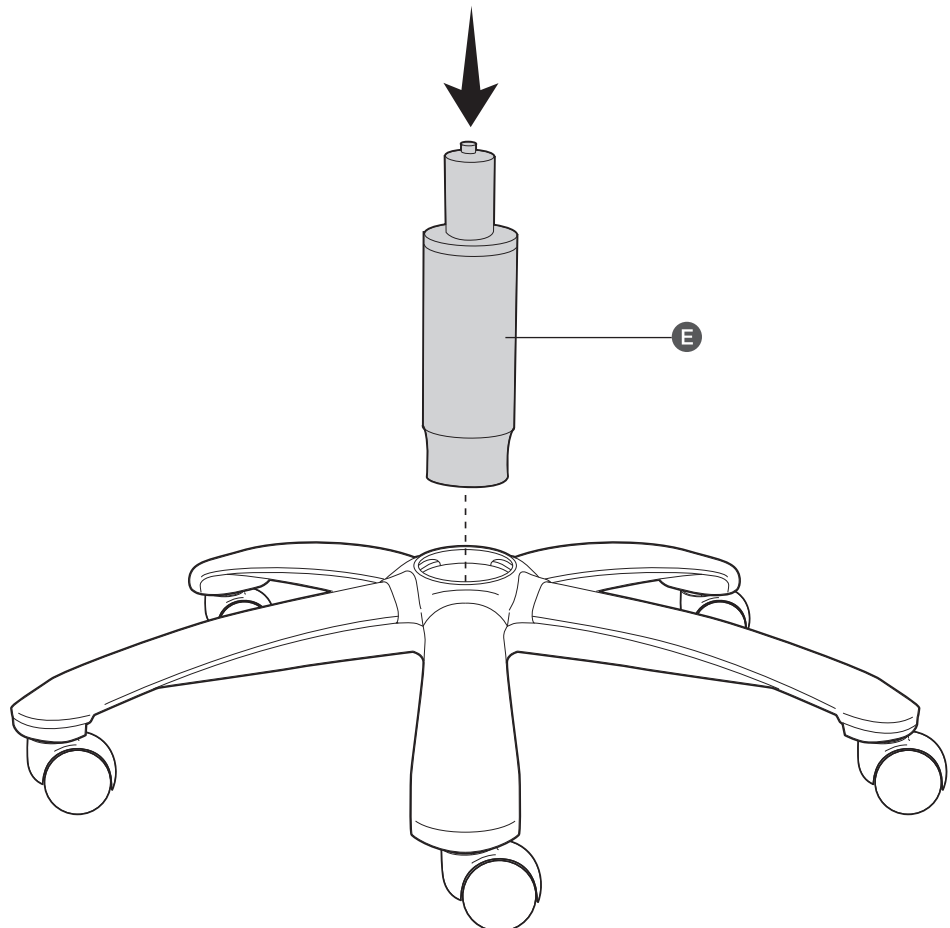
G (x 5)



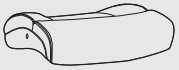
2



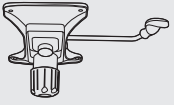
E (x 1)



3



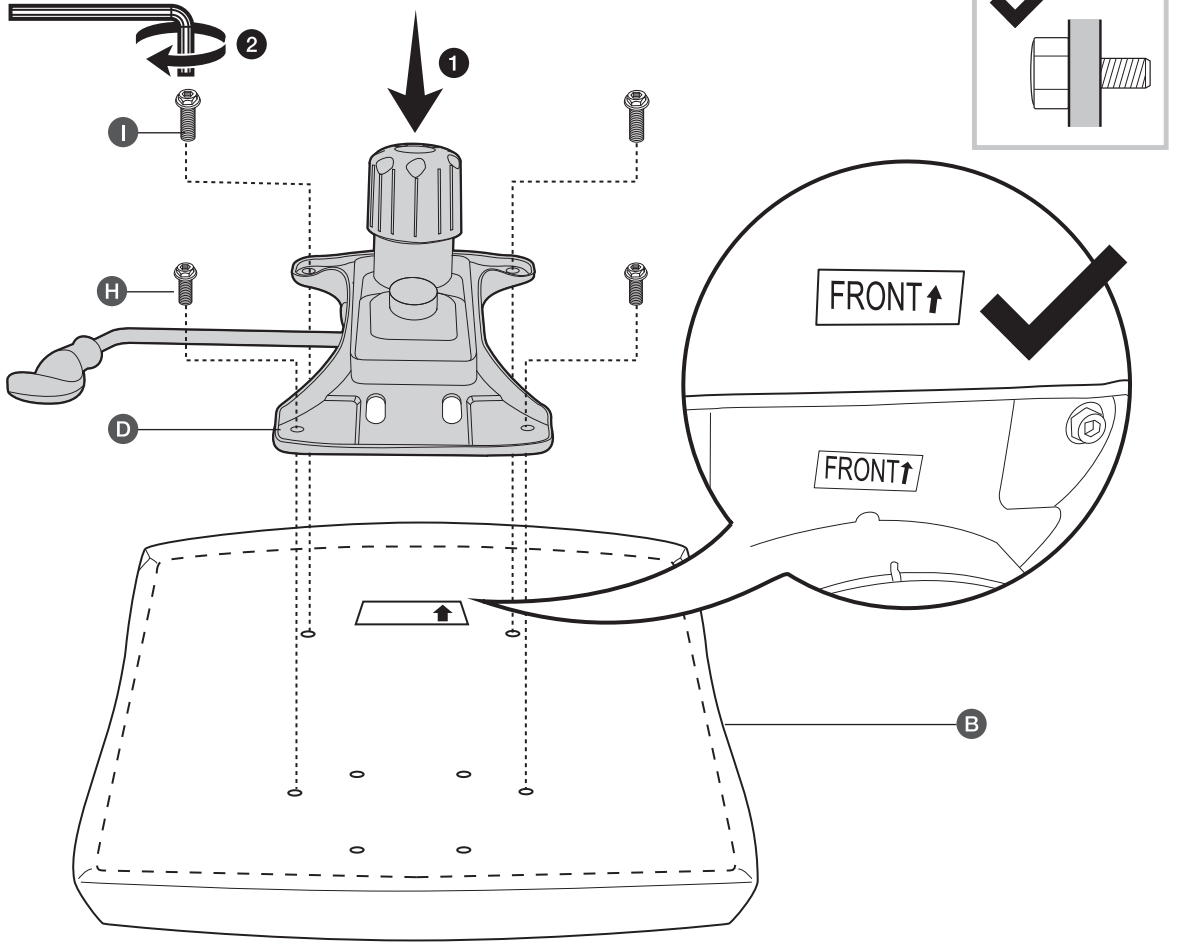
B (x 1)



D (x 1)



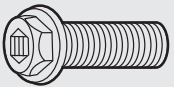
H (x 2)



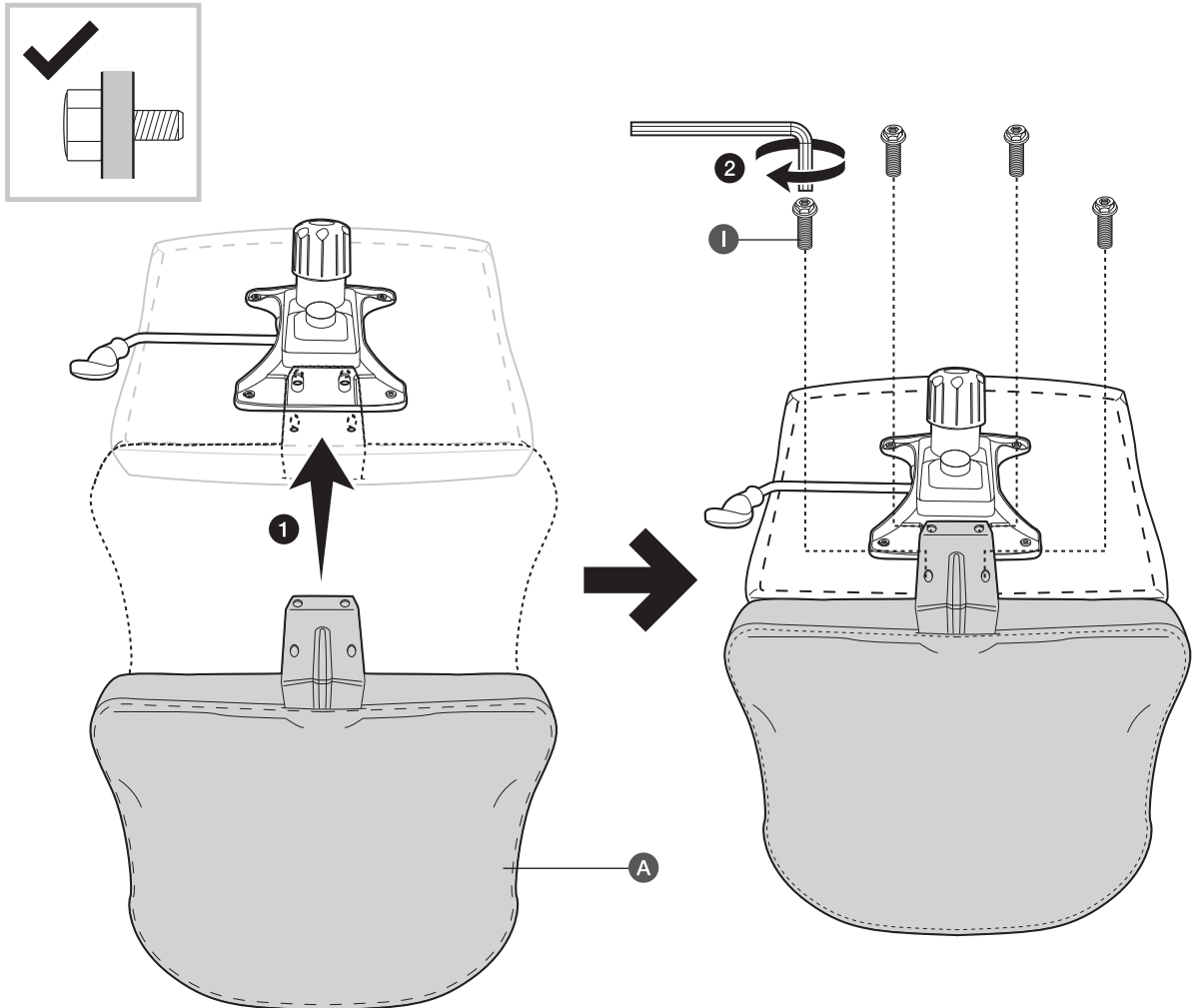
4

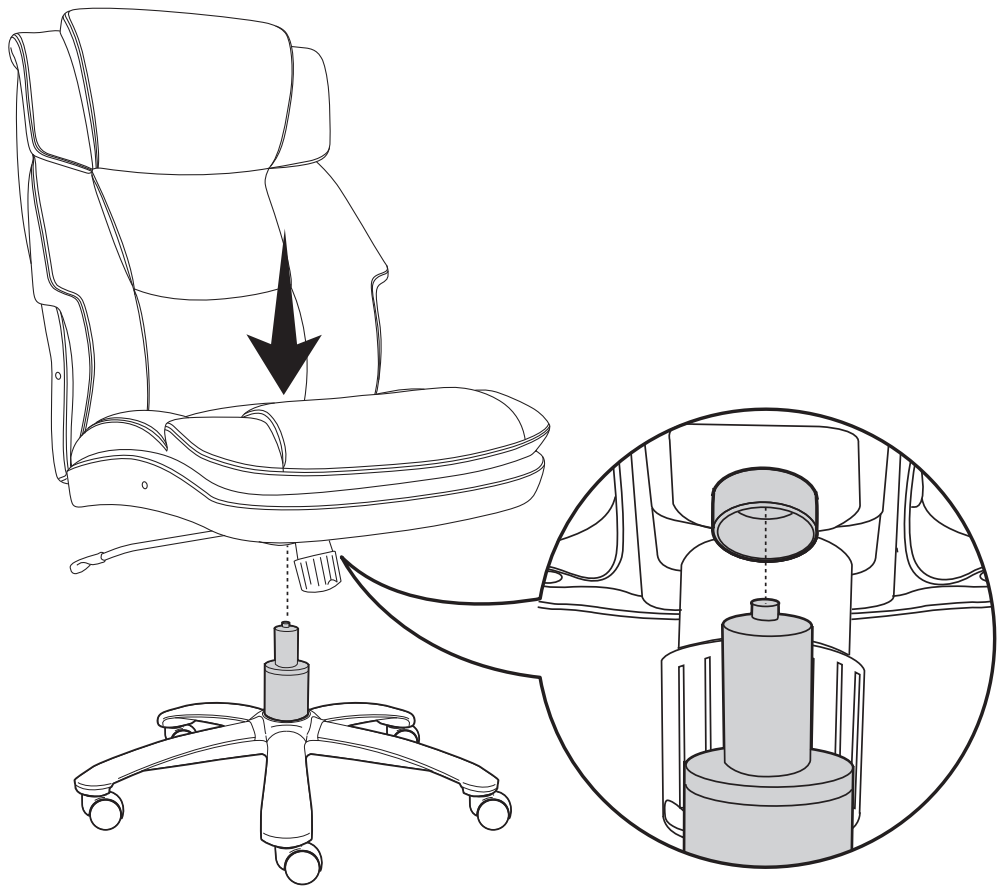


A (x 1)

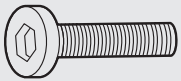


I (x 4)

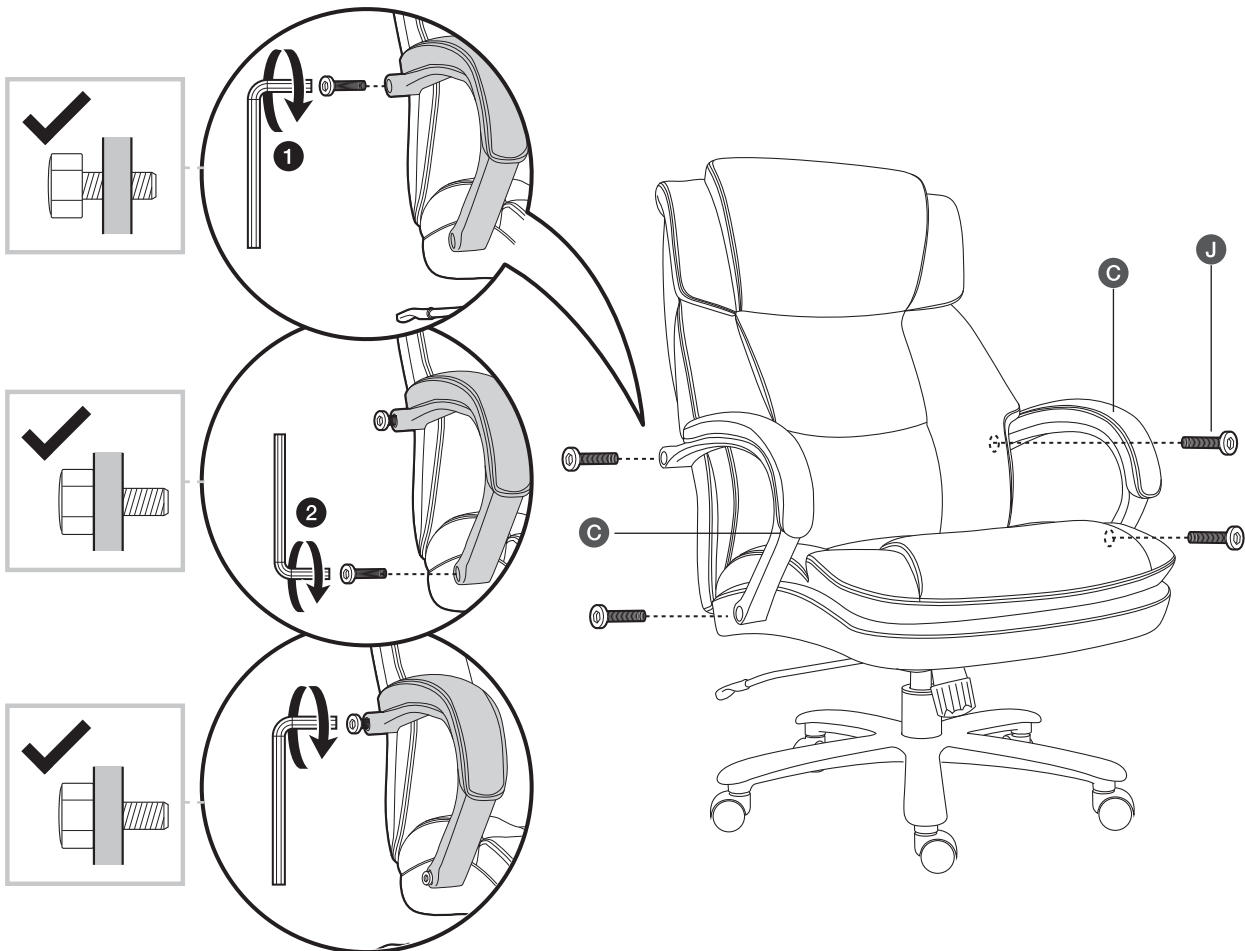




C (x 1)



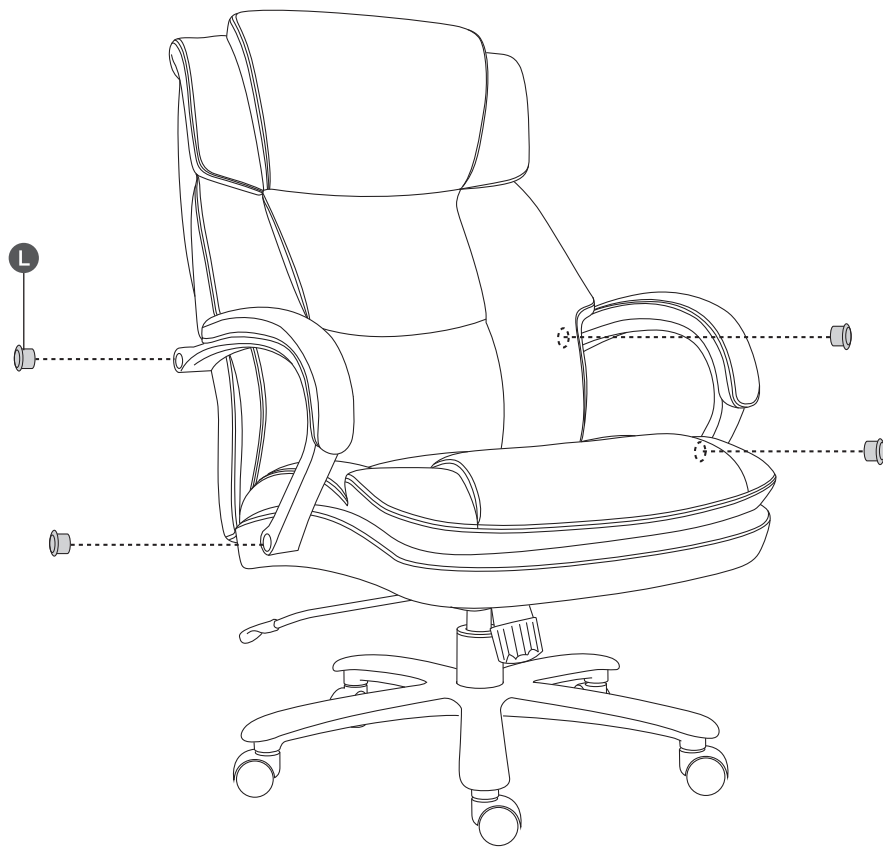
J (x 4)



7

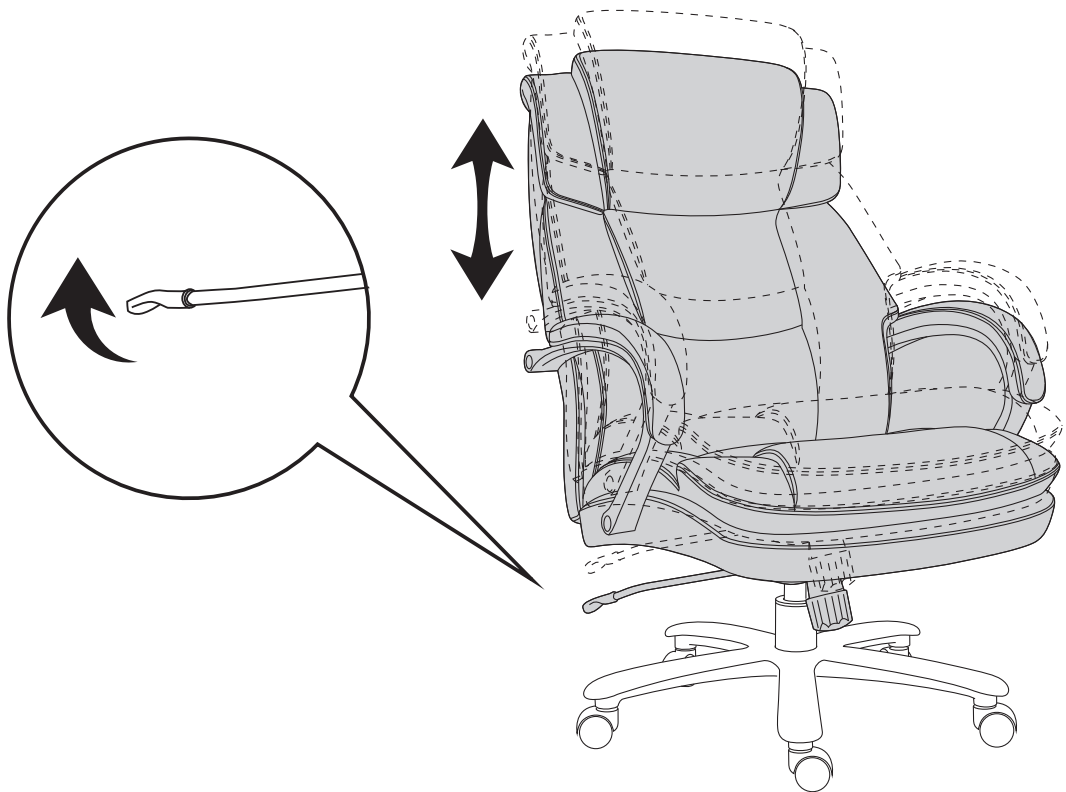


L (x 4)

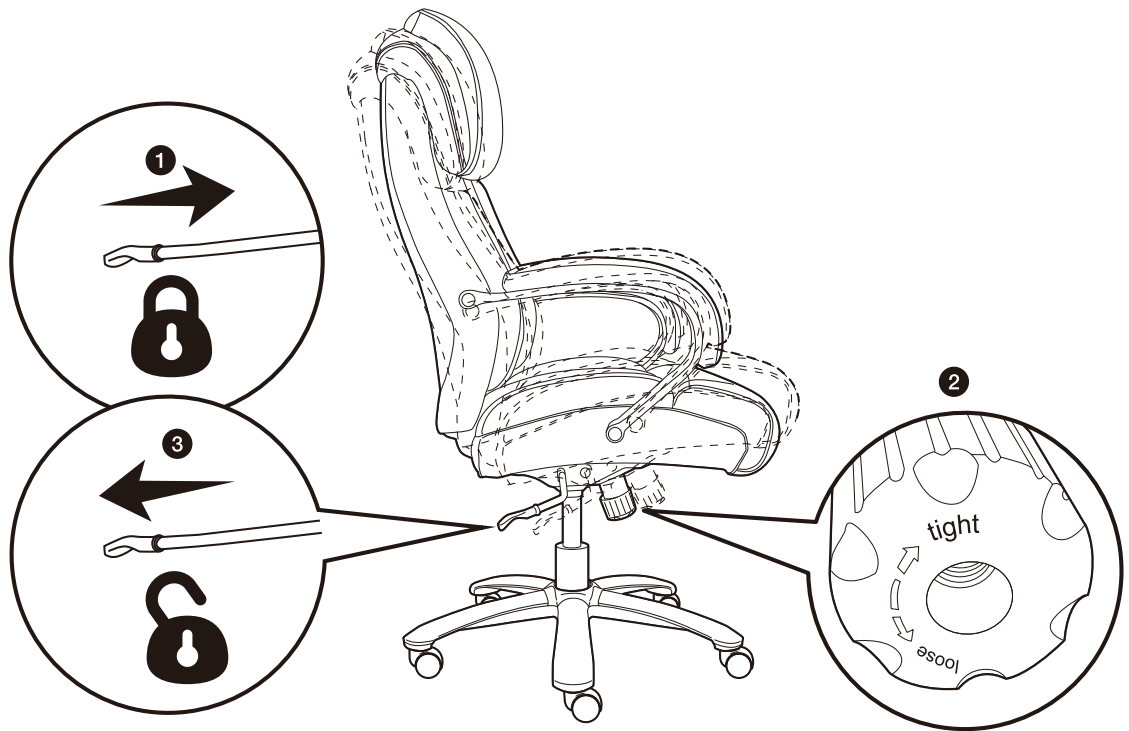


8

Adjusting the seat height



- ▶ To raise the height of the seat, shift your body weight to your feet, then lift the seat paddle.
- ▶ To lower the height of the seat, apply full weight on the chair, then lift the seat paddle. The chair will lower gradually. When the desired height is reached, release the paddle.



- ▶ While seated, reach under the right side of the chair to find the height adjustment handle. Pull the handle all the way out (away from the gas lift) to allow the chair to tilt backwards. Push the handle back in to lock again.
- ▶ To adjust the tension of the tilt, rotate the knob counter-clockwise to loosen and increase the level of tilt, then clockwise to tighten and reduce the level of tilt.